



## SBL Series Standard Model



### Solar Powered LED Bollard

The Original SBL series solar powered LED bollard is ideal for architectural and commercial pathway applications. The self-contained, unique symmetrical design combined with high quality construction and unequaled proven to market performance make the SBL Series Solar Pole Top Bollard Lights the perfect fit where quality and low maintenance lighting is required.

Utilising our solar powered SBL Series LED Pole Top lights that are fully self contained and offer significant benefits over mains powered bollards:

- Low installation costs and minimal site damage with no trenching, cabling or wiring
- No ongoing costs with no energy bills, lamps or batteries to change
- Isolated from power outages
- Provides a "Green Footprint" statement

From vandal attack, monsoonal rain, crashing waves, golf ball size hail or daily snow coverage, no similar product can out perform our SBL Series Solar LED Bollard light design for durability or performance. Our solar bollard light PCB circuit design has been fully operationally tested in the field from Saudi Arabia to the sub zero snow regions of Canada .



## TECHNICAL SPECIFICATIONS

### Overview

■ <b>Dome Material</b>	SABIC SLX Lexan (Highest UV Stabilised PC available)
■ <b>Housing Material</b>	SABIC 203R (UV Stabilised)
■ <b>Internal Materials</b>	STAREX ASA
■ <b>LED Chips</b>	6 x 5mm Piranha LED Super Bright - Symmetrical Light Distribution - 4300K +/- (Natural White)
■ <b>Voltage</b>	3.2V (ELV intrinsically safe no UL certification required for USA)
■ <b>Operate Temp</b>	-30°C ~ +60°C ambient (runs safely up to 100°C)
■ <b>Maintenance</b>	Annual clean and polish for peak performance
■ <b>Warranty</b>	5 Years (subject to SBL Warranty T&C's)
■ <b>Properties</b>	- IP66 - IK10 - Photometric (IESNA LM-79-08)
■ <b>Weight</b>	Net Weight 3kg (6.6lbs)

### Solar Module

■ <b>Wattage</b>	5w Mono-Crystalline
■ <b>Vmp (V)</b>	5V
■ <b>Imp (A)</b>	1 Amp
■ <b>Design Life</b>	10 Years @ 100%

### Battery

■ <b>Type</b>	3.2V 10Ah Cylindrical LiFePo4
■ <b>Cycles</b>	3700 (expected minimum)
■ <b>Design Life</b>	10 Years + (expected minimum)

### Electronics



■ <b>Design Life</b>	10 Years + (expected minimum)
■ <b>Runtime</b>	Dusk until Dawn full power
■ <b>On/Off</b>	Solar Panel Voltage

### Poles (25um anodised standard or powder coated)

■ <b>Material</b>	6106 T6 Aluminium Marine Grade
■ <b>Grade</b>	High Tensile / Light Weight
■ <b>Durability</b>	High Corrosion Resistance
■ <b>Collar</b>	25um Anodised
■ <b>Hardware</b>	Security Bolts 4 x M6 - 316 SS



IK10  
Vandal Resistant



No  
Power Bills



Simple & Low  
Install Cost



Clean Energy  
Lighting



Minimal  
Maintenance

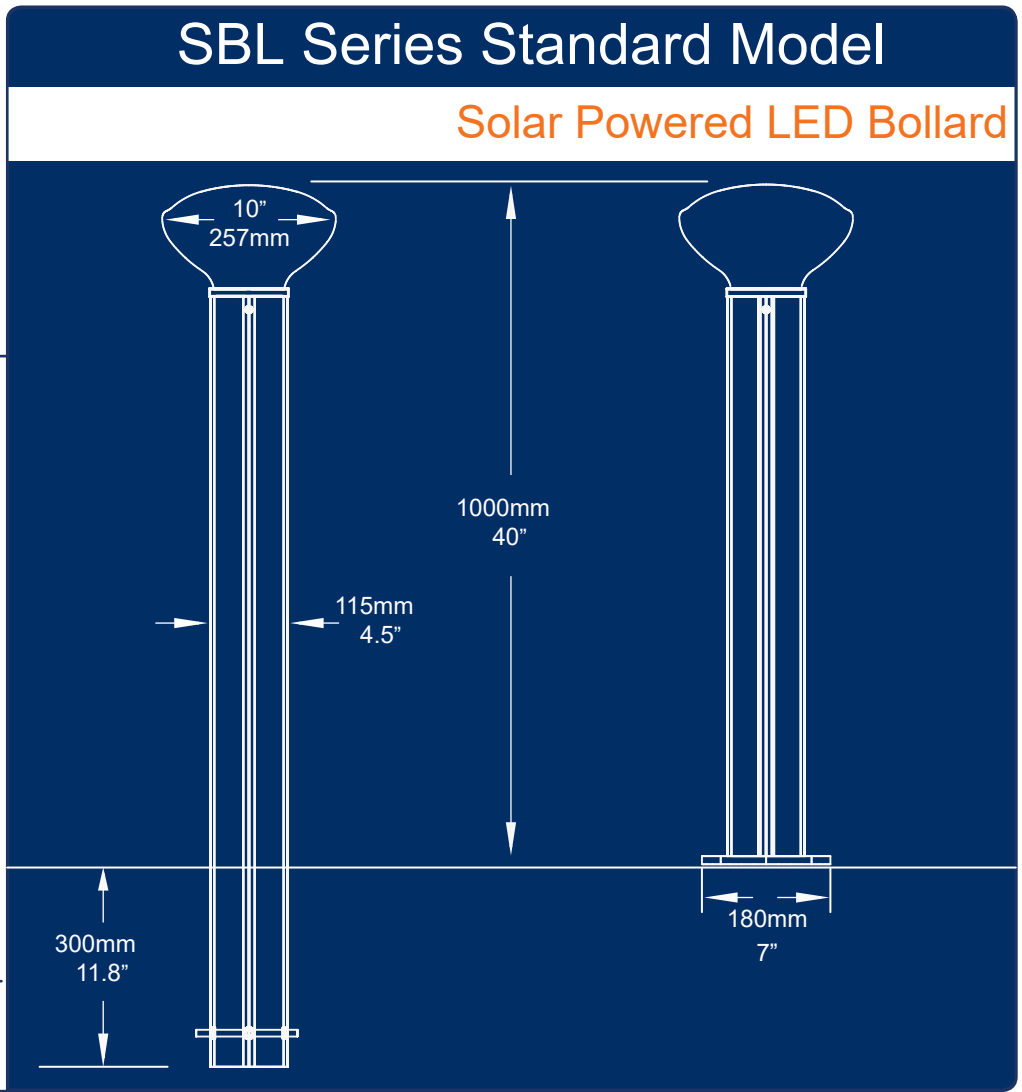
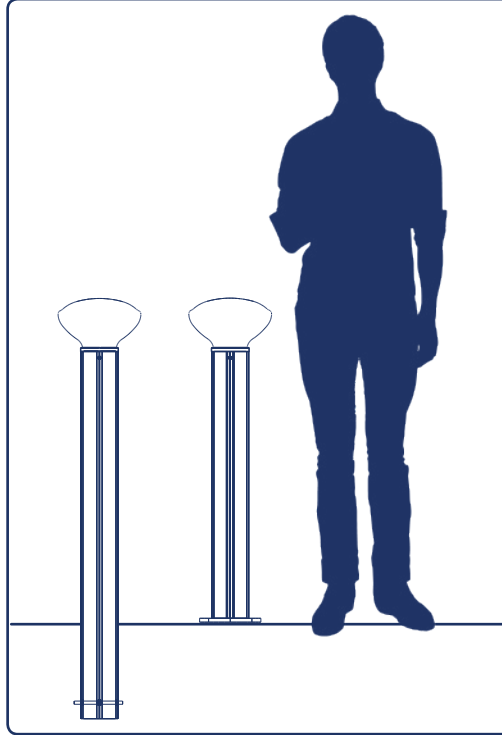


DIY  
Install  
Yourself



## SBL Series Standard Model

Solar Powered LED Bollard



### PHOTOMETRIC

(IES files available)

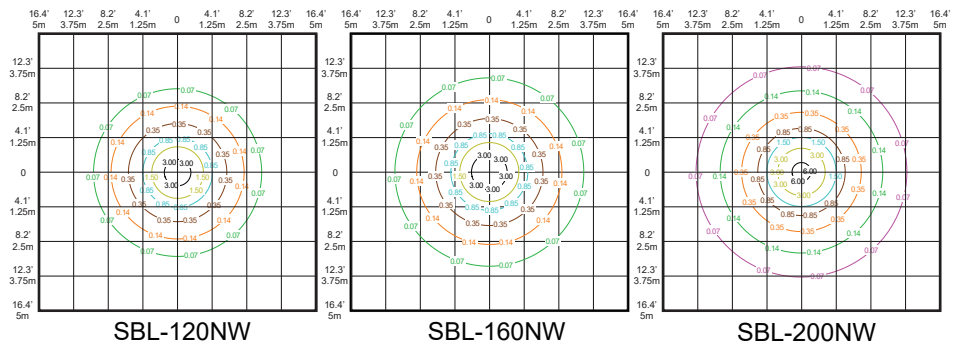
GRID = 10m x 10m

All Values = Lux @ 1m/40" Overall Height

**AS/NZS 1158.3.1:2005 P4 Light Spacing Example based on Single Side standard 1m overall mounting height**

Model No.	Pathwidth			
	1.2m	1.5m	1.8m	2.4m
SBL-120NW	6.0m	4.6m	3.3m	3.1m
SBL-160NW	6.4m	6.0m	4.2m	4.0m
SBL-200NW	7.0m	7.0m	6.4m	6.0m

Please note: above spacings are examples only and different installation parameters will affect the outcome of final results produced. No liability will be accepted



### ORDER MATRIX

Power Model	Mount Code	Dimension	Installed Height with Light Attached	Pole Finish Options
080 - 80mA	-182BP	182mm/7.1"	342mm / 13.5"	<b>A</b> - 25um Anodised - Clear (Silver Colour) <b>AB</b> - 25um Anodised - Ebony (Near Black) + <b>PC</b> - Black Satin 27219268 (Default Colour) <b>PCCC</b> - Custom Powder Coat Colour + From Dulux DURALLOY or ALPHATEC Colour Range <small>(under 15 poles \$200 Minimum Charge Loading Added on top of total cost)</small> + Special Order Option with longer lead time
120 - 120mA	-840BP	840mm/33"	1000mm / 39.4"	
160 - 160mA	-1140DB	1140mm/44.9"	1000mm / 39.4"	
200 - 200mA	-1340BP	1340mm/53"	1500mm / 59"	
	-1790DB	1790mm/70.4"	1500mm / 59"	
<b>MOUNTING CODE DESCRIPTION</b> DBA - Direct Bury or BPA - Base Plate				

Ordering Example : SBL-160NW - 840BPPC = 160mA Natural White Light on a Ground Mounted Powder Coated pole

SBL-  Power Model -  Mount Code -  Pole Finish Option

**Notes:**  
 - Specifications subject to change without notice  
 - All light levels in lux  
 - P4 light pole spacings are examples only.